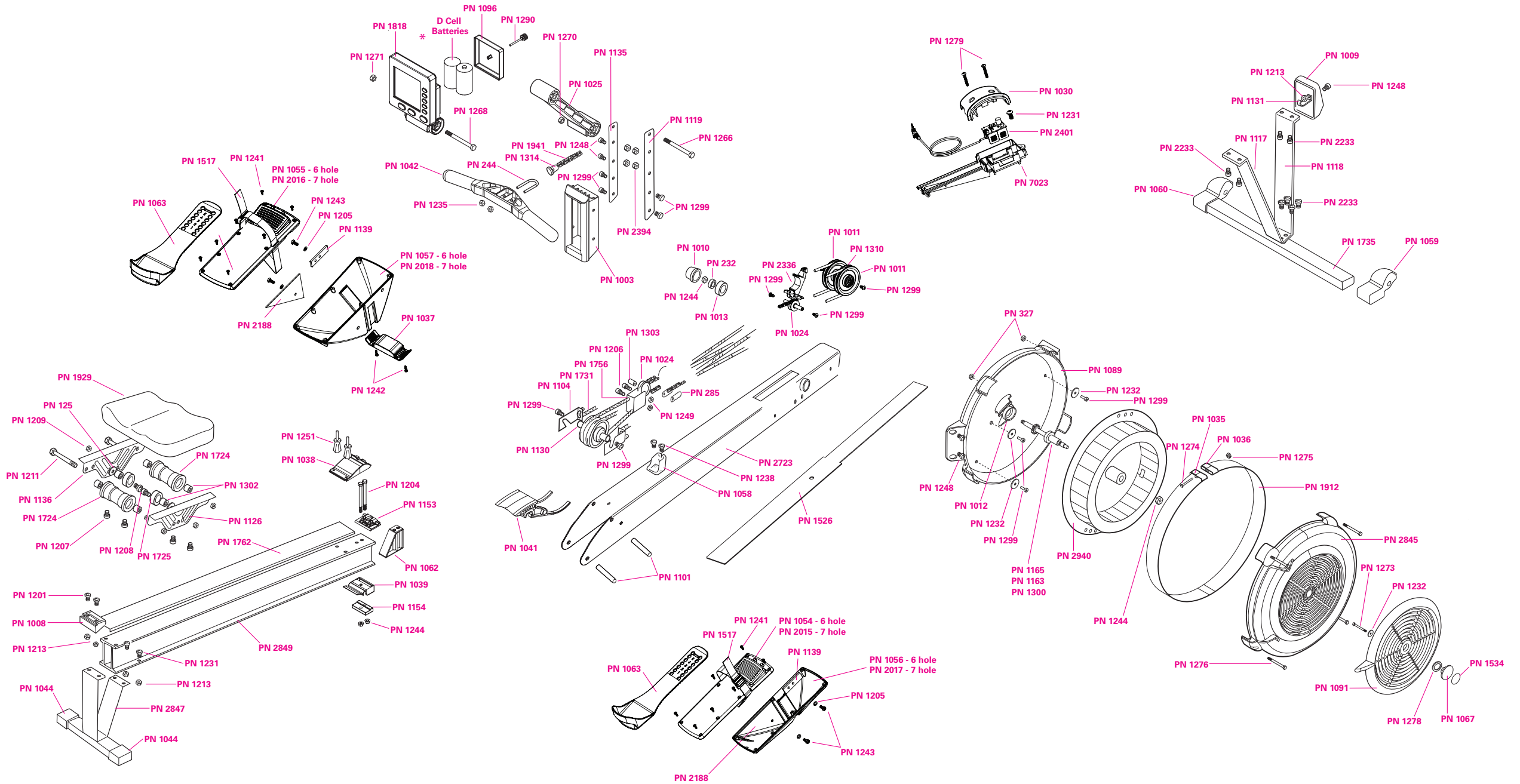


concept 2 ROWERG WITH STANDARD LEGS SCHEMATIC



*Standard with PM5 as of October 2014.

concept 2 ROWERG WITH STANDARD LEGS SCHEMATIC

PN	Description
125	Washer 3/8
232	Bearing R8 ZZ B/C/D/E
244	U Bolt
285	Chain Connector Small
327	Nut #10 SS
1003	Chain Guide
1008	Rear Bumper
1009	End Cap
1010	Bearing Cover
1011	Shock Cord Pulley
1012	17mm Bearing Rubber Cup
1013	R8 Bearing Cup
1024	Chain Idler Pulley
1025	Monitor Arm Black
1030	Generator Cover
1035	Perf Connector Screw Side
1036	Perf Connector Nut Side
1037	Compression Member
1038	Upper Hanger Plastic
1039	Lower Hanger Plastic
1041	Mouse
1042	Handle
1044	Rear Foot D2/E
1054	Foot Stretcher Cover Right - 6 Screw Holes
1055	Foot Stretcher Cover Left - 6 Screw Holes
1056	Belly Right Foot Stretcher - 6 Screw Holes
1057	Belly Left Foot Stretcher - 6 Screw Holes
1058	Handle Hook Model D2/E
1059	Footcaster Right
1060	Footcaster Left
1062	Monorail Bolt Support
1063	Flexfoot Grey D2/E
1067	Hub Cap Model D2/E
1089	Flywheel Cover Back D Black
1091	Damper Model D Black
1096	Battery Door PM5
1101	Hanger Shaft Threaded
1104	SCAM
1117	Leg Front Short D
1118	Leg Front Long D

PN	Description
1119	Black Guide Bracket - Right
1126	Seat Carriage Right
1130	Axle Shock Cord/Chain Idler Pulley
1131	End Cap Hook
1135	Black Guide Bracket - Left
1136	Seat Carriage Left
1139	Reinforcing Bracket
1153	Upper Die Cast Hanger
1154	Lower Die Cast Hanger
1163	Sprocket Quiet 14 Tooth D/E
1165	Axle D/E
1204	Screw 3/8 - 16 x 5.5 ZP GR5
1206	Traveling Pulley Screws
1207	Screw SL HWMS 10/24 x 1/2 Patch
1208	Screw 3/8 - 16 x 1.25 Low Profile SH
1209	Nut 3/8 - 16 BC Nylock
1211	Screw 3/8 - 16 x 4.5 BC
1231	Buttonhead Screw 1/4 - 20 x 1/2 SS Patch C/D/E
1232	Fender Washer 1/4 x 1 1/4 BX
1235	Nut 1/4 - 20 Nylock SS
1238	Socket Screw 1/4 - 20 x 3/8
1241	8-16 X 1/2 TFS screw
1242	10 x 3/4 TFS screw
1243	1/4 - 20 x 5/8 HCS GR .5 ZP
1244	Nut 3/8 - 16 ZP Nylock Zinc
1248	Screw 1/4 - 20 x 3/4 SS Buttonhead C/D/E
1249	1/4 Nylock Jam Nut
1251	Poly Rivet
1266	HSC 3/8 x 4 SS
1268	HCS 3/8 x 3 SS Waxed
1270	Nylock 3/8 - 16 SS
1271	Hexnut 3/8 - 16 SS
1273	Damper Screw 10 x 3/4 Pan PH Type B SS
1274	Pan PH #6 x 2 SS
1275	#6 Nut Stainless Steel
1276	Flywheel Cover Bolt 10 x 3 Pan PH SS
1278	Wave Washer
1279	#8 Pan Head Phillips SS Screw

PN	Description
1290	Thumbscrew Battery Door
1299	6 Lobe Screw 1/4 - 20 x 1/2 SS
1300	17mm Bearing
1302	Seat Spacer
1303	Traveling Pulley Spacer
1310	SC Pulley Spacer
1314	Swivel Bushing
1517	Footstrap with Buckle (one per side)
1526	Return Mechanism Cover
1534	Hubcap label
1724	Top Roller
1725	Bottom Roller
1731	Shock Cord
1735	Front Foot w/Casters
1756	Traveling Pulley Assy C/D/E
1762	Track/Tape Assembly w/Rivet
1810	Logcard with Sleeve - for PM3 or PM4 (not shown)
1818	PM5 Monitor D/E/Dynamic*
1874	PM3 Monitor RoHS (not shown)
1912	Outlet Perf w/Connectors and Screw Assy. D
1929	Seat Top w/Screws
1941	Chain with Connector and Swivel C/D/E
2015	Foot Stretcher Cover Right - 7 Screw Holes
2016	Foot Stretcher Cover Left - 7 Screw Holes
2017	Belly Right Foot Stretcher - 7 Screw Holes
2018	Belly Left Foot Stretcher - 7 Screw Holes
2188	Internal Brace Foot Belly D/E
2233	Screw 6 Lobe 1/4 - 20 x 3/4 SS Epoxy Patch
2336	Spacer Anti-Skip Anti-Throw
2394	Locknut Flanged 1/4-20 ZP
2401	Sensor Coil
2723	Box Frame D2
2845	Fan Cover Assy. D
2847	Rear Leg Model D2 w/Feet
2849	Monorail Assy D w/Track
2940	Flywheel Assembly (machine made 10/30/06 or later)
7023	Generator Base w/ASAT Spacer