

Assembly Instructions

MODEL E

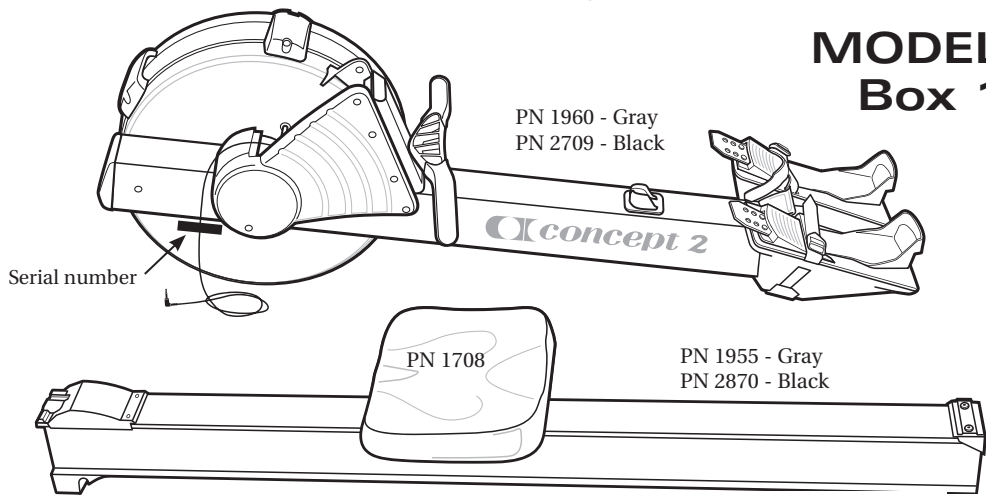
IMPORTANT NOTE:

Use these instructions for **MODEL E** assembly.

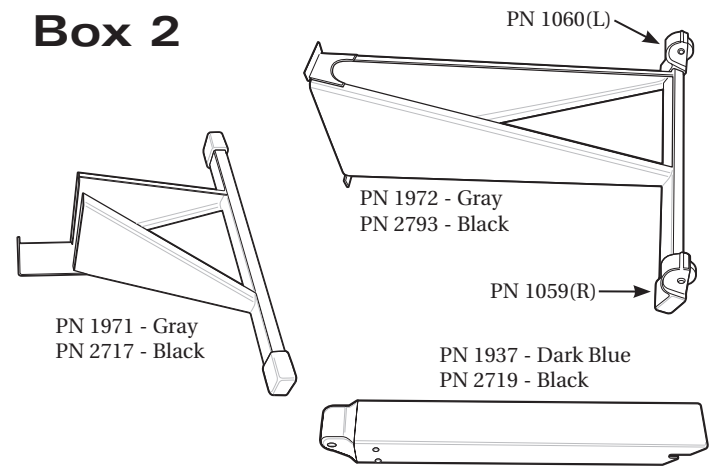
MODEL E

Weight: 65 lb (29 kg)
 Dimensions: 8 ft x 2 ft (244 cm x 61 cm)
 Space Required for Use: 9 ft x 4 ft (274 cm x 122 cm)
 Weight Capacity: 500 lb (227 kg) as tested by Concept2*
 *300 lb (135 kg) as tested per European Stationary Fitness Equipment Testing Standard EN 20957-7

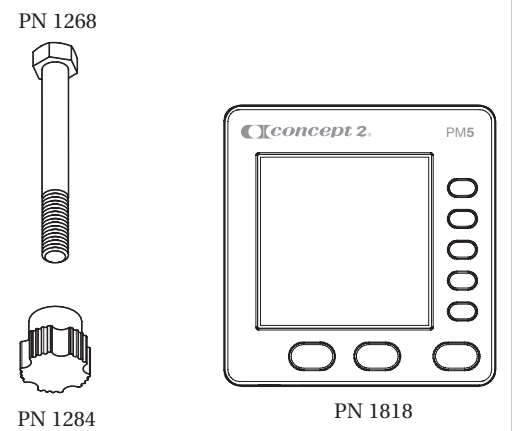
MODEL E Box 1



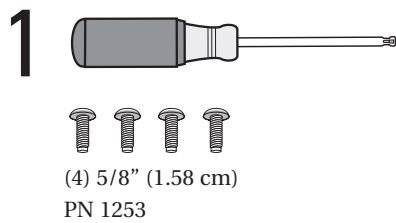
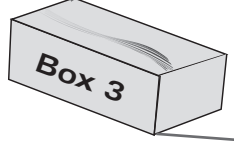
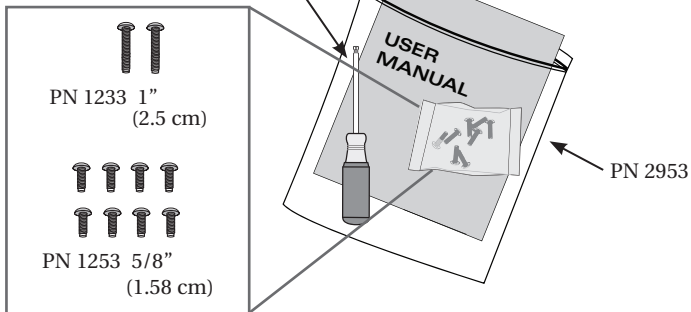
MODEL E Box 2



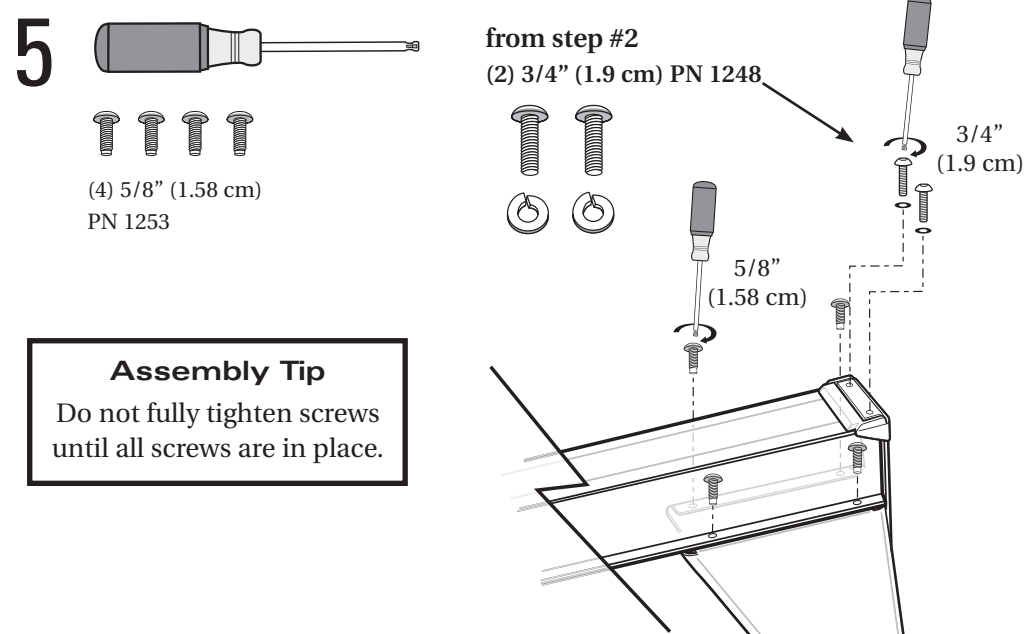
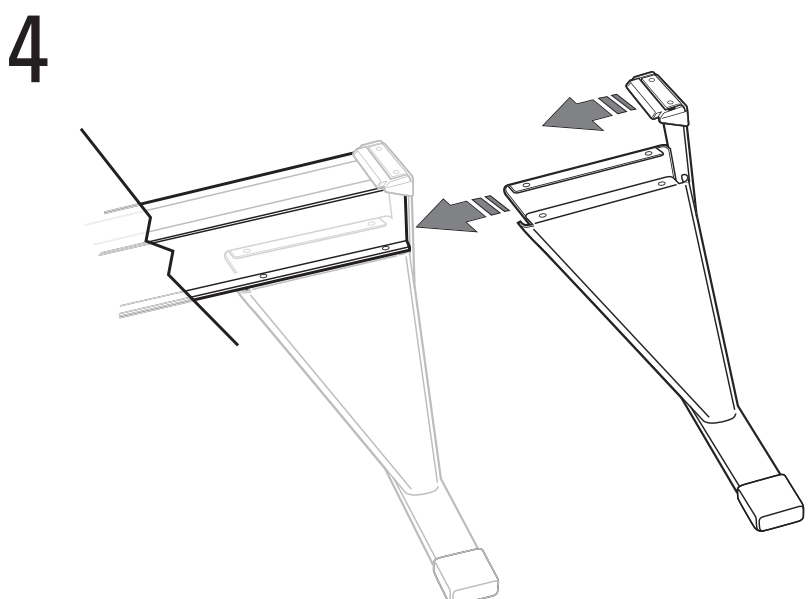
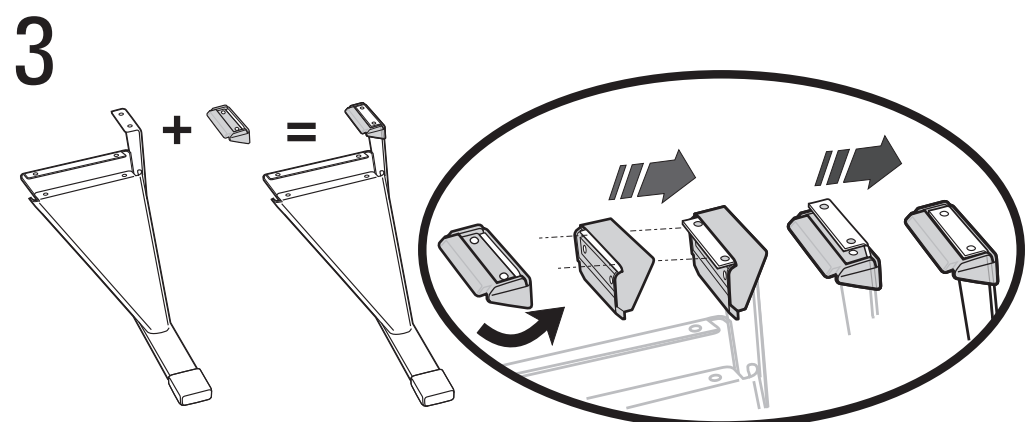
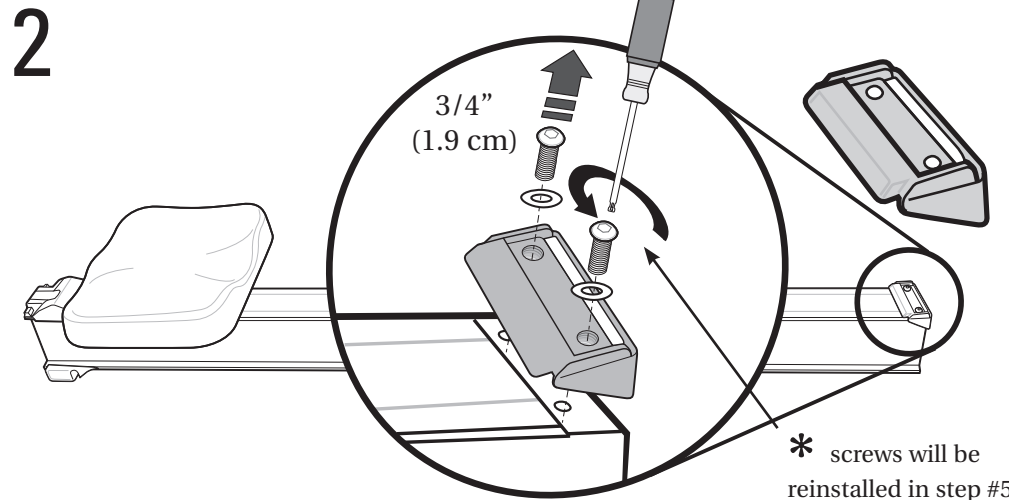
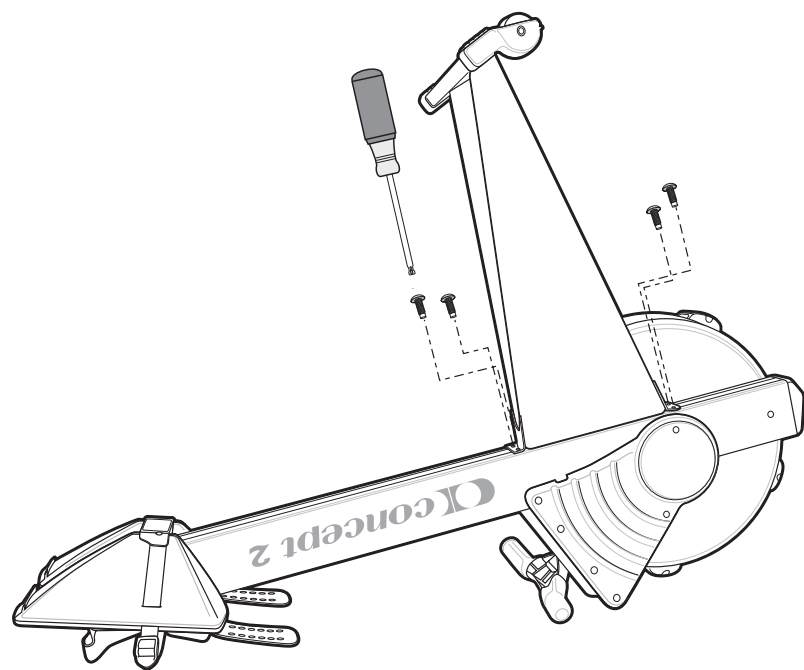
MODEL E Box 3



Contents of PN 2953



Assembly Tip
 Do not fully tighten screws until all screws are in place.



Assembly Tip
 Do not fully tighten screws until all screws are in place.

