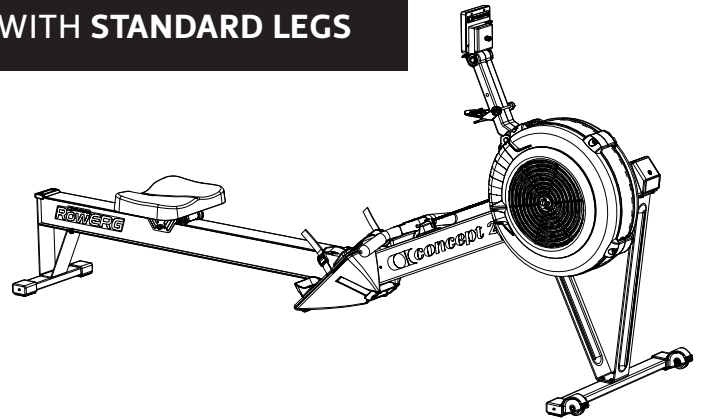


concept 2 **ROWERG** ASSEMBLY INSTRUCTIONS

Weight: 57 lb (26 kg)
 Dimensions: 8 ft x 2 ft (244 cm x 61 cm)
 Space Required for use: 9 ft x 4 ft (274 cm x 122 cm)
 Weight Capacity: 500 lb (227 kg) as tested by Concept2*
 *300 lb (135 kg) as tested per European Stationary Fitness
 Equipment Testing Standard EN 20957-7

WITH STANDARD LEGS



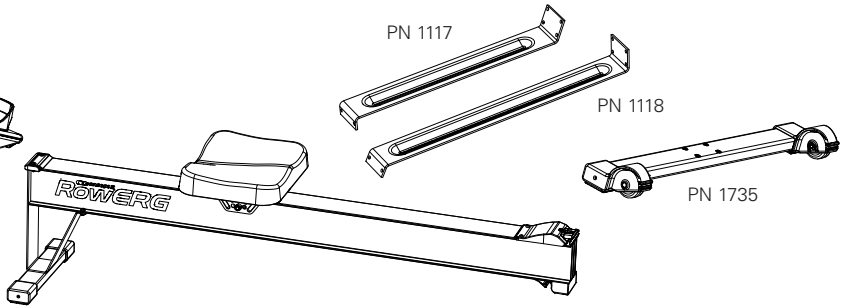
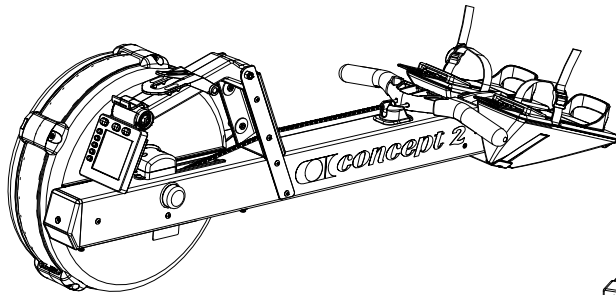
PARTS *not to scale



T-27 DRIVER
PN 2230



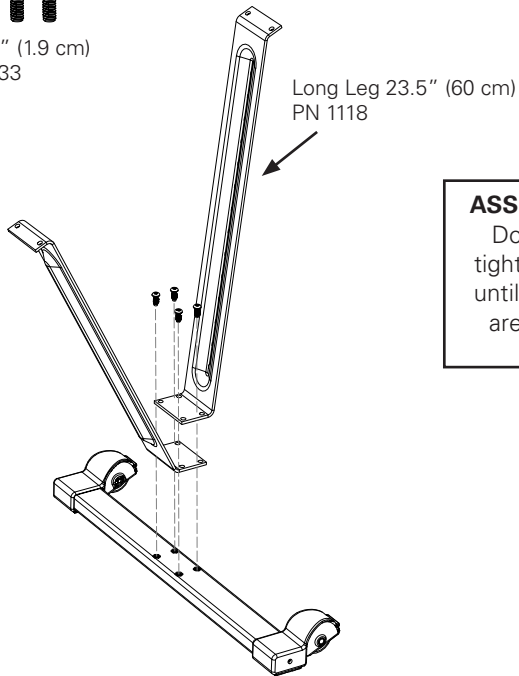
x 8
3/4" (1.9 cm)
PN 2233



1



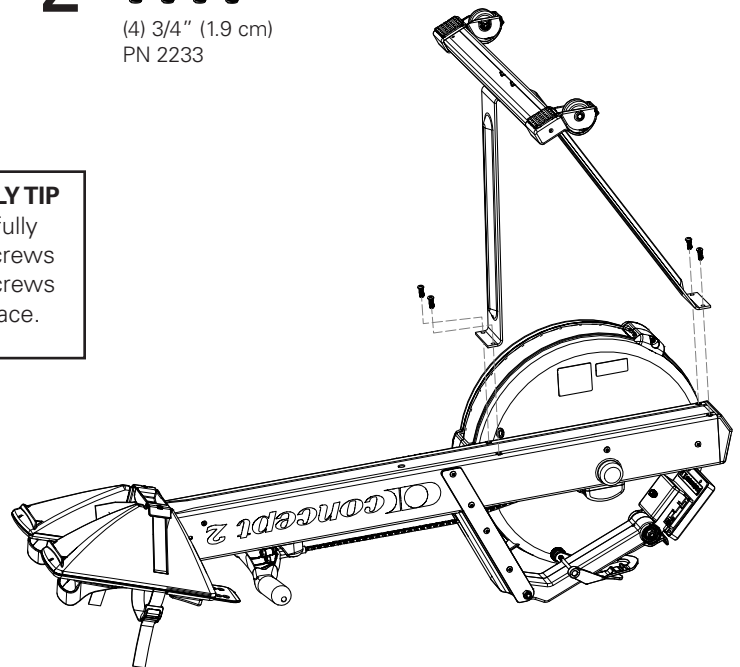
(4) 3/4" (1.9 cm)
PN 2233



2



(4) 3/4" (1.9 cm)
PN 2233



ASSEMBLY TIP

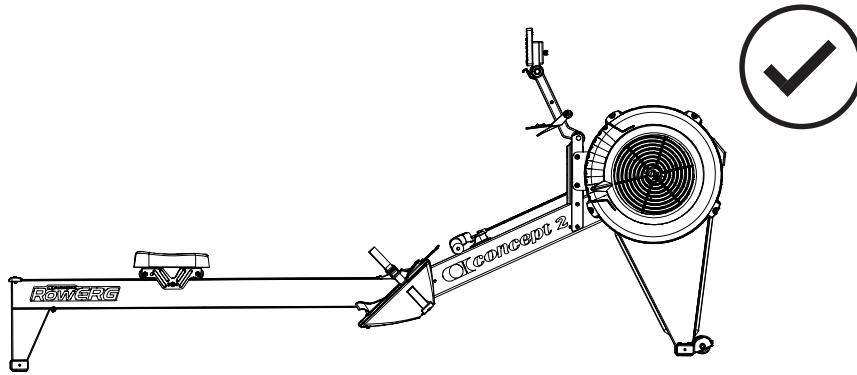
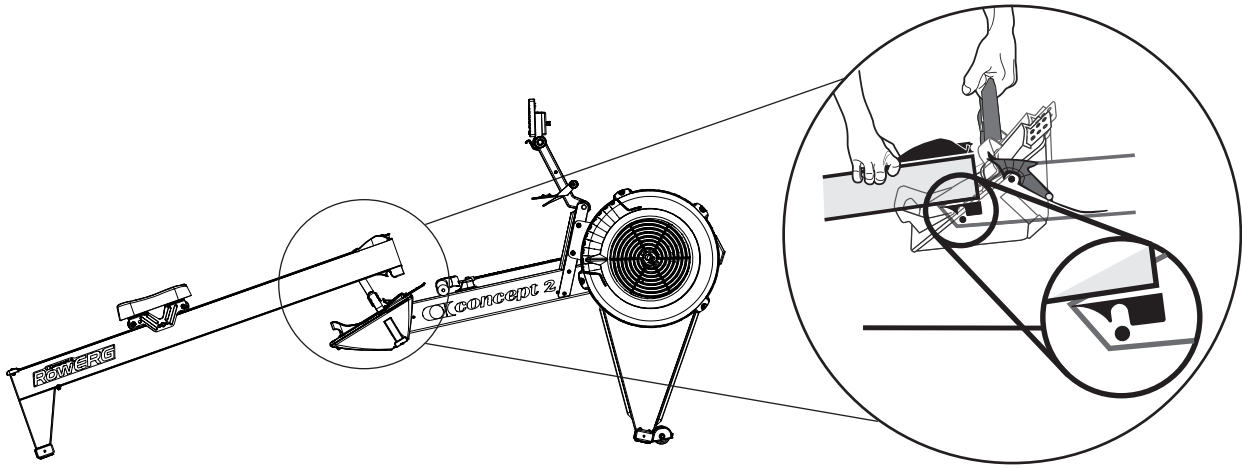
Do not fully tighten screws until all screws are in place.



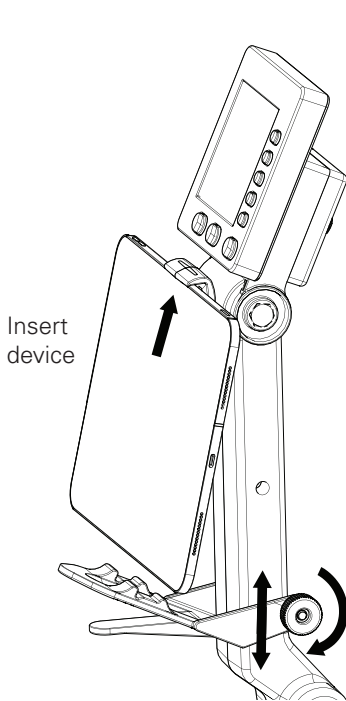
Questions? Comments? Problems?

Contact Concept2 directly at **800.245.5676** (US and Canada)
 Or visit us online: **concept2.com**

3



How to Use the Device Holder



Insert device

Loosen knob to slide lower bracket up or down.

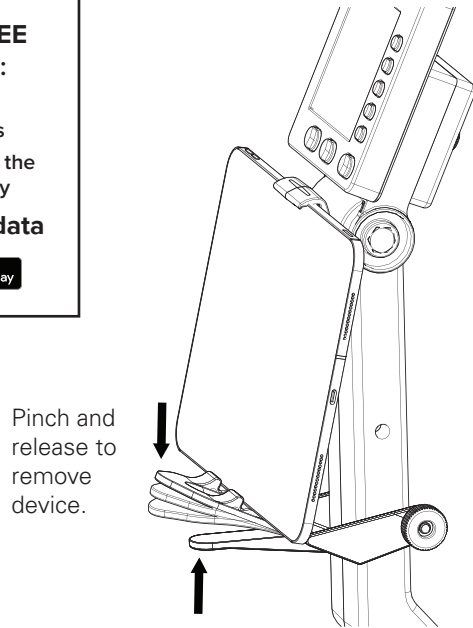
Important:
Tighten knob when device is in place.



Download our **FREE** ErgData app for:

- Workouts
- More data displays
- Real time rowing with the Concept2 community

concept2.com/ergdata



Pinch and release to remove device.

