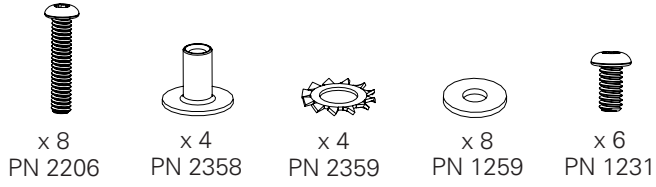


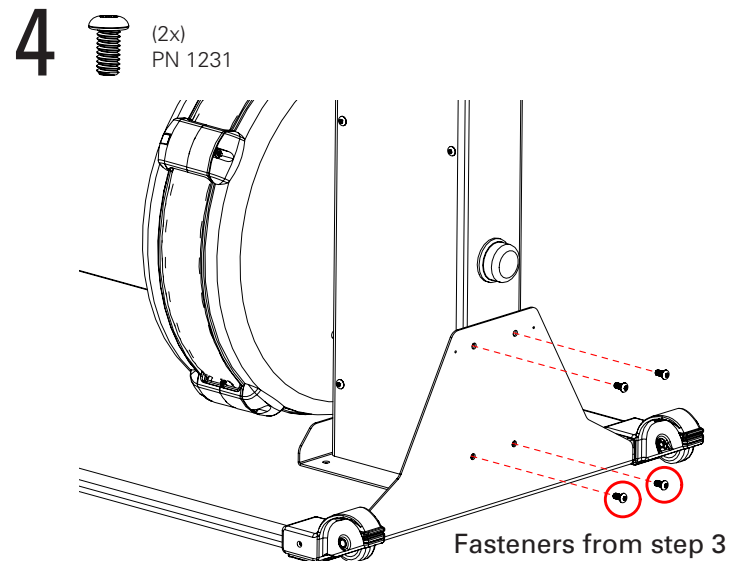
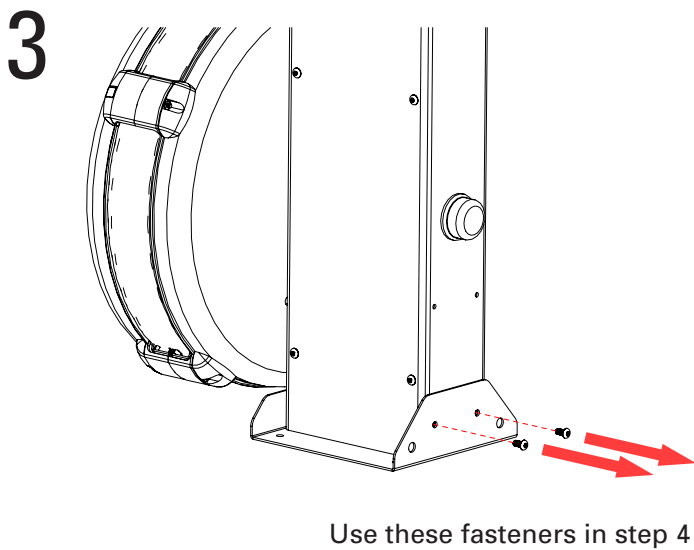
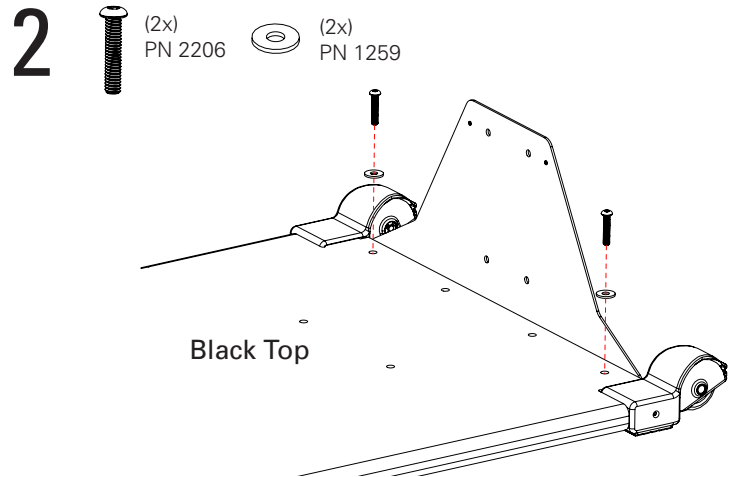
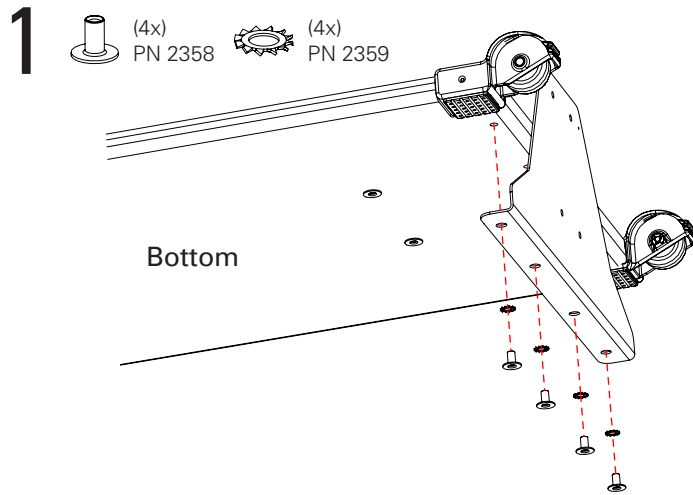
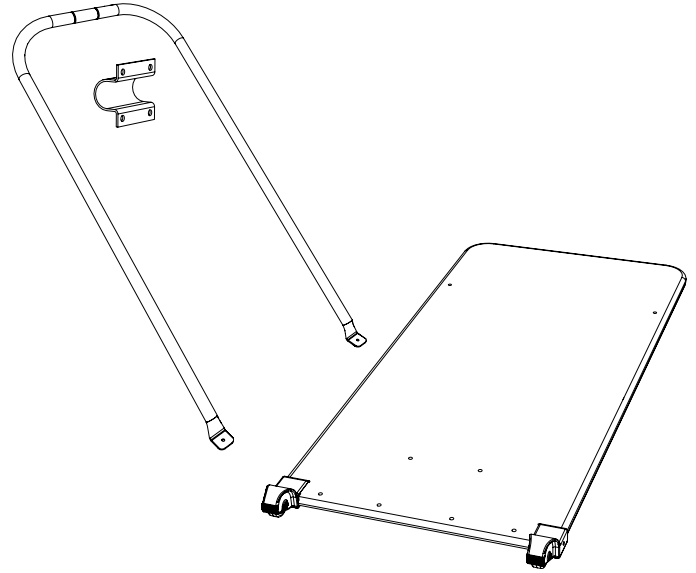
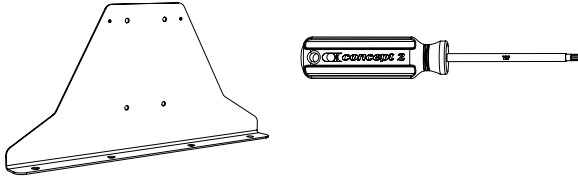
Floor Stand Assembly and SkiErg Installation

PARTS

*not to scale



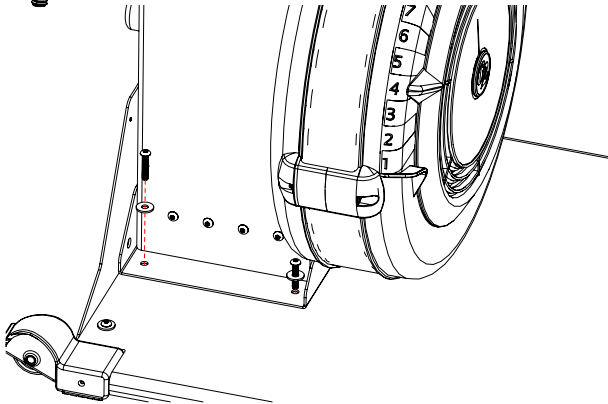
Located in SkiErg box



Floor Stand Assembly and SkiErg Installation

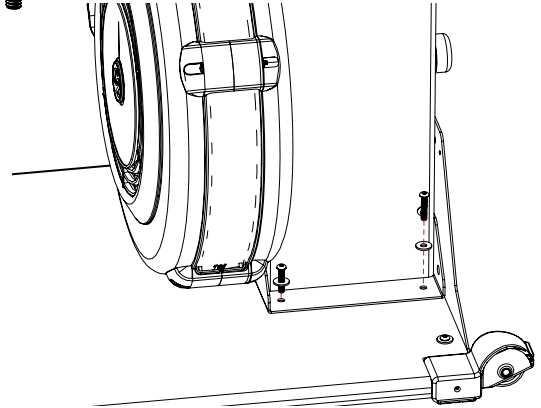
5

(2x) PN 2206
(2x) PN 1259



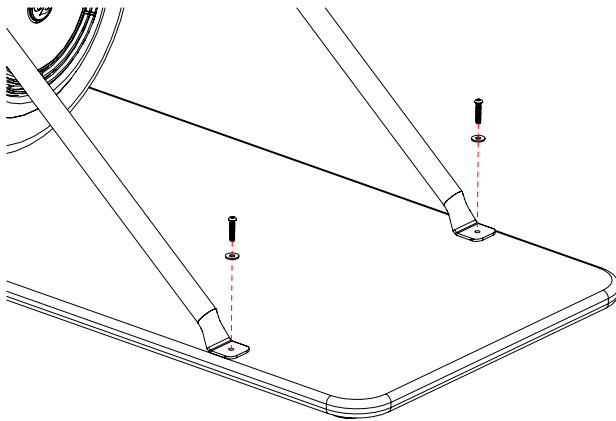
6

(2x) PN 2206
(2x) PN 1259



7

(2x) PN 2206
(2x) PN 1259



8

(4x) PN 1231

Assembly Tip: Do not fully tighten screws until all screws are in place.

